

Coffee System Single Portion Grinder with Hopper, 1x2.7 kg - UK plug

ITEM # _____

MODEL # _____

NAME # _____

SIS # _____

AIA # _____


600788 (E190SSUK)

 Single Portion Grinder with
 one 2,7 kg hopper - UK
 plug

Short Form Specification

Item No. _____

Single portion grinder, 1x2,7kg with hopper features excellent bean visibility, adjustable range of grind settings and the granulating-style burrs assure highly accurate and consistent throws.

Powerful, energy efficient 1/2 HP motor and circuit breaker with manual reset button.

Delivered with UK plug.

Main Features

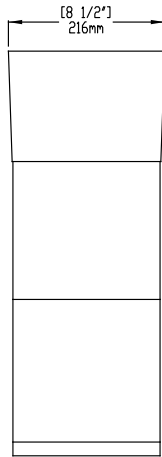
- Excellent bean visibility.
- Adjustable range of grind settings.
- Exclusive, long lasting granulating-style burrs assure highly accurate and consistent throws.
- Economical, dependable grinders.
- How to Operate:
 - 1. Fill the hopper with whole bean coffee and close the lid.
 - 2. Place the brew basket with coffee filter between brew rails.
 - 3. Push the start button. Grinder will grind a predetermined amount of coffee, and then automatically shut off.
 - 4. When grinder stops, remove the brew basket.
- Grind range: 15gr - 750gr.

Construction

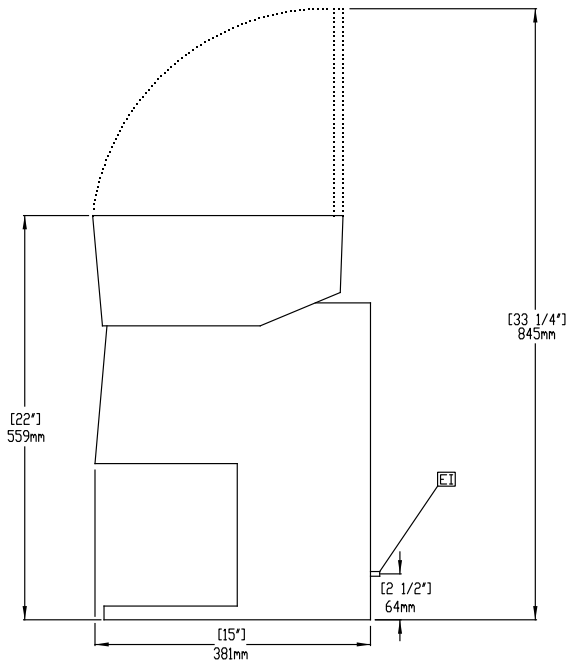
- Powerful, energy efficient 1/2 HP motor.
- Solid-state, concealed, dual range timer.
- Circuit breaker with manual reset button.

APPROVAL: _____

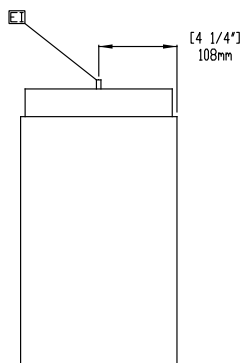
Front



Side



Top



Electric

Supply voltage:

600788 (E190SSUK) 230 V/1N ph/50 Hz

Electrical power max.:

0.8 kW

Key Information:

External dimensions, Width:	216 mm
External dimensions, Depth:	381 mm
External dimensions, Height:	559 mm
Net weight:	17 kg
Shipping weight:	20 kg
Shipping height:	699 mm
Shipping width:	318 mm
Shipping depth:	470 mm
Shipping volume:	0.1 m ³